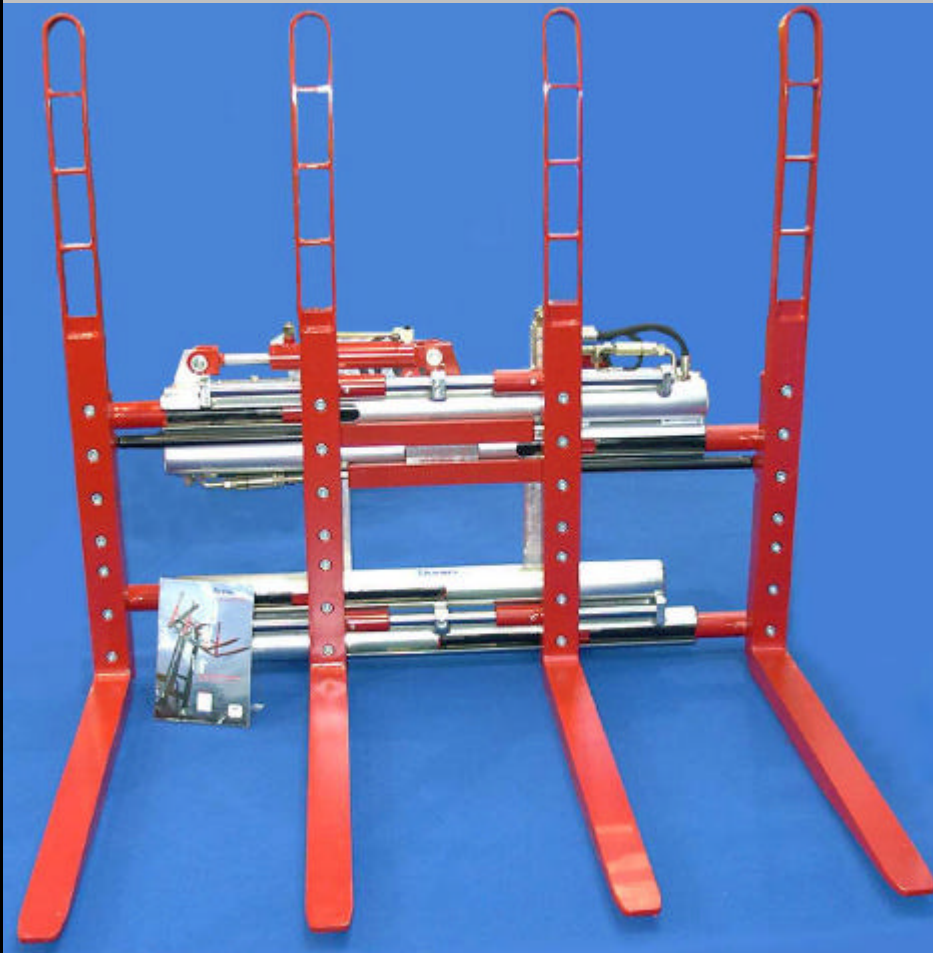


MULTIPLE pallet handler



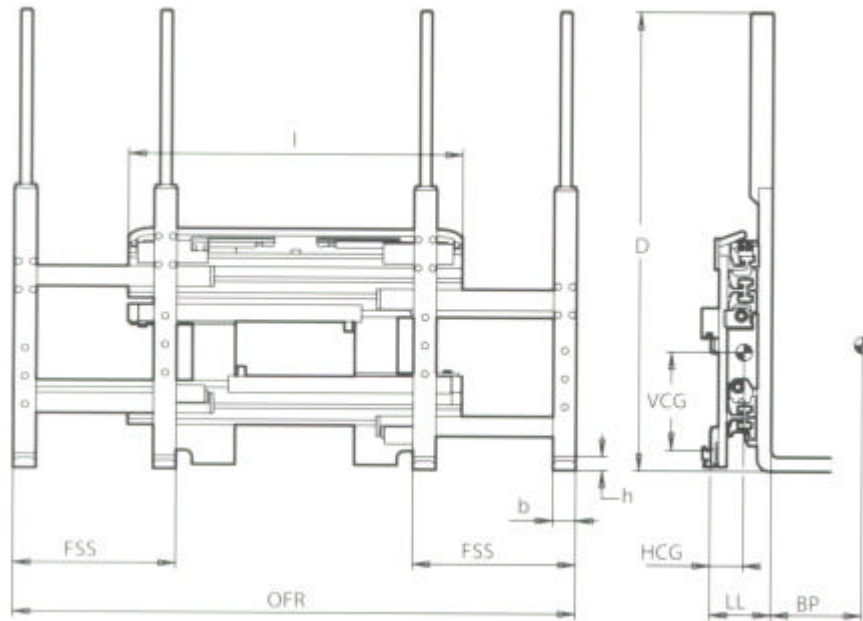
Specifications PTO →



e-mail : sales.za@bolzoni-auramo.com

BOLZONI-AURAMO SOUTH AFRICA

9 Indiana Street
Apex Ext.3
Benoni
Tel. + 27 011 421 6214 / 0738
Fax + 27 011 421 5208
e-mail: sales.za@bolzoni-auramo.com



- Single Double pallet handler for handling one or two pallets.
- These models offer the possibility to lift pallets on both sides, either singly or two at a time.
- Excellent visibility through the body.
- Separate sideshift provides constant sideshift range regardless of the fork opening. (Model KS)
- Synchronized fork movement with flow divider valve.
- Gas-spring operated inner fork positioning.
- Incorporated load backrests.
- Self lubricated sideshift bearing pads.
- Bolt-on forks with specially reinforced heel area.

Model	Capacity	Load Centre	Fork Set Spread	Outer Fork Range	Fork Dimension	Frame Width	Min Carriage Width	Height	Weight	Horizontal COG	Mounting Class
	Q kg	BP mm	FSS mm	OFR mm	Ltxh mm	I mm	FL mm	D mm	W kg	HCG mm	ISO 2328
Non-sideshifting											
KA18FKA	1800	600	570	570-1970	1150x80x50	1170	800	1470	510	248	2A
KA22FKA	2200	600	570	570-1970	1150x80x50	1170	800	1470	520	248	2A
KA25FKB	2500	600	570	570-1970	1150x80x50	1170	1000	1620	530	248	3A
KA28FKB	2800	600	570	570-1970	1150x80x50	1170	1000	1620	560	243	3A
KA35FKB	3500	600	570	570-1970	1150x80x60	1170	1000	1620	570	246	3A
Sideshifting											
KS18FKA	1800	600	570	570-1970	1150x80x50	1170	800	1470	550	253	2A
KS22FKA	2200	600	570	570-1970	1150x80x50	1170	800	1470	560	253	2A
KS25FKB	2500	600	570	570-1970	1150x80x50	1170	1000	1620	570	256	3A
KS28FKB	2800	600	570	570-1970	1150x80x50	1170	1000	1620	625	246	3A
KS35FKB	3500	600	570	570-1970	1150x80x60	1170	1000	1620	635	249	3A

www.bolzoni-auramo.com

e-mail: sales.za@bolzoni-auramo.com