

BOLZONI S.p.A.
29027 Casoni di Podenzano
(Piacenza) Italy
Tel: +39-0523-55 55 11
Fax: +39-0523-52 40 87
Internet: www.bolzoni-auramo.com
E-mail: sales.it@bolzoni-auramo.com

AURAMO OY
P.O.Box 78 (Valimotie 22)
01511 Vantaa - Finland
Tel: +358-9-82 931
Fax: +358-9-87 01 037
E-mail: sales.fi@bolzoni-auramo.com

BOLZONI AURAMO GmbH
Mühlenstr. 74
41352 Korschenbroich - Germany
Tel: +49-2161-999-36-0
Fax: +49-2161-999-36-99
E-mail: sales.de@bolzoni-auramo.com

BOLZONI AURAMO SARL
Rue Avogadro
Technopôle de Forbach-Sud
57600 Forbach - France
Tel: +33-3-87 84 65 40
Fax: +33-3-87 84 65 45
E-mail: sales.fr@bolzoni-auramo.com

BOLZONI AURAMO S.L.
Polig. Industrial Riera de Caldes
C/ dels Basters, 12-14 -
Apdo. 62,
08184 Palau solità i Plegamans
(Barcelona) Spain
Tel: +34-938-648-633
Fax: +34-938-648-350
E-mail: sales.es@bolzoni-auramo.com

Lisboa Office - Portugal
Tel / Fax: +351-212-902551
Tel móvil: +351-917-884976
E-mail: lsilva@bolzoni-auramo.com

BOLZONI LTD
Unit 10, Taurus Park
Europa Boulevard
West Brook
Warrington Cheshire WA5 7ZT - United
Kingdom
Tel: +44-1925-62 45 70
Fax: +44-1925-62 45 78
E-mail: sales.uk@bolzoni.net

BOLZONI AURAMO AB
P.O.Box 172
80103 Gävle - Sweden
Tel: +46-26-64 72 30
Fax: +46-26-64 72 35
E-mail: sales.se@bolzoni-auramo.com

BOLZONI AURAMO S.r.l.
S.S. 16 Km 770+580
70052 Bisceglie (BA) Italy
Tel: +39-080-39 51 437
Fax: +39-080-39 51 393
E-mail: sales.italia@bolzoni-auramo.com

BOLZONI AURAMO POLSKA Sp. z o.o.
Ul. Wojciechowska 5A
20-704 Lublin
Poland
Tel: +48-81-44 65 491
Fax: +48-81-44 65 490
E-mail: sales.pl@bolzoni-auramo.com

BOLZONI AURAMO BV
Waterbeemd 6a
5705 DN Helmond
Industrieterrein nr. 8955
The Netherlands
Tel: +31-492-50 97 77
Fax: +31-492-38 28 44
E-mail: sales.benelux@bolzoni-auramo.com

**BOLZONI AURAMO for Turkey
Mayratek Makina
Ve Hidrolik Ekipmanlar Tic. Ltd. Sti.**
Bagdat Cad. Yolac Is Merkezi Kat:1 Ofis
No:105
34724 Kiziltoprak - Kadikoy - Istanbul
Turkey
Tel: +90-216-3453383
Fax: +90-216-3453667
E-mail: byuksekkaya@bolzoni-auramo.com

BOLZONI AURAMO INC.
17635 Hoffman Way
Homewood, Illinois 60430 - U.S.A.
Tel: +1-800-358 54 38 (USA only)
Tel: +1-708-957 88 09
Fax: +1-708-957 88 32
E-mail: sales.us@bolzoni-auramo.com
www.bolzoni-auramo.com

BOLZONI AURAMO CANADA Ltd.
90C Brunswick Blvd
Dollard-des-Ormeaux, Quebec H9B 2C5 -
Canada
Tel: +1-800-685-78 71 (Canada only)
Tel: +1-514-685-78 71
Fax: +1-514-685-52 38
E-mail: sales.ca@bolzoni-auramo.com
www.bolzoni-auramo.com

**BOLZONI AURAMO Shanghai Forklift
Truck Attachment Co. Ltd**
No.11 Plant, Zone B,
No. 206 Peikun Rd.,
Minhang District,
Shanghai 201111
P.R.China
Tel: +86-21-640-930-50
Fax: +86-21-640-930-60
E-mail: sales@bolzoni-auramo.com.cn

BOLZONI AURAMO (Pty) Ltd.
P.O.Box 7198
Baulkham Hills DC
NSW 2153 - Australia
Tel: +61-2-9659-22 24
Fax: +61-2-9659-22 25
E-mail: sales.au@bolzoni-auramo.com

RT Equipment Limited
58, Hobill Avenue
Manukau City,
Auckland - New Zealand
Tel: +64-9-262 07 21
Fax: +64-9-262 05 67
E-mail: christ@rtequipment.co.nz

EUROLIFT Pty. Ltd.
2/81 Harrison Road
Dudley Park 5008
South Australia
Tel: +61-8-83 46 35 55
Fax: +61-8-83 46 94 22
E-mail: info@eurolift.com.au

**BOLZONI AURAMO SOUTH AFRICA
(Pty) Ltd.**
P.O. Box 915
Benoni 1500
South Africa
Tel: +27-11-421-07 38
Fax: +27-11-421-52 08
E-mail: sales.za@bolzoni-auramo.com

MCGOWAN ENGINEERING LTD
Lightburn Road
Cambuslang - Glasgow G72 7XS -
Scotland (U.K.)
Tel: +44-141-641-3648 /2359
Fax: +44-141-641-51 47
E-mail: info@mcgowaneng.co.uk

CEMAT trading, spol. s.r.o.
Cs. armady 184
735 51 Bohumin - Pudlov
Czech Republic
Tel: +420-596-092-333
Fax: +420-596-013-522
E-mail: cemat@cemat.cz

CEMAT s.r.o.
Sucianska cesta 31
036 08 Martin - Slovak Republic
Tel: +421-43-430-25-63
Fax: +421-43-430-25-62
E-mail: cemat@cemat.sk
www.cemat.sk

MAR-GO KFT. Ltd.
Fehérvári út 63-65
2030 Érd - Hungary
Tel: +36-24-530 201
Fax: +36-24-530 200
E-mail: stefano@mar-gokft.datanet.hu

Lift Systems S.r.l.
Sos. Bucuresti-Targoviste 22N
013505 Bucuresti, sector 1
Romania
Tel: +40 31 4048 039
Fax: +40 31 4048 039
E-mail: office@liftsystems.ro

**INSTANT MATERIALS HANDLING
SDN BHD**
No. 51A, Jalan Kati E U 19/E,
Seksyen U19, Taman Medan Mas,
Kampung Baru Seri Sungai Buloh,
40160 Shah Alam, Selangor.
Malaysia
Tel: +60-3-6157 28 96
Fax: +60-3-6157 07 81
E-mail: imhsb@tm.net.my

ADJL INTERNATIONAL (TAIWAN) LTD.
4-6Fl., No.28, Sec. 3,
Chung San North Rd.,
Taipei - Taiwan
Tel: +886-2-2668-67 68 / 69 / 70
Fax: +886-2-2668-67 73
E-mail: adjl.com@msa.hinet.net

PT Auratech Best Western
Jl.Pondok Kelapa Raya C4 no.2
Jakarta Timur 13460 - Indonesia
Tel: +62-2157-9526-32
Fax: +62-2157-9526-34
E-mail: info@auratechbw.co.id

**Fluid-Tec Engineering &
Trading Pte. Ltd.**
5, Kian Teck Way
Singapore 628733 - Singapore
Tel: +65-6264-3881
Fax: +65-6265-9707
E-mail: sales@fluid-tec.net

CPT Technology Co. Ltd.
48/70 MOO6 T.Banmai A.Pakket,
Nonthaburi 11120 - Thailand
Tel: +66- 2- 5741- 371
Fax: +66- 2- 5741- 370
noppadol.cpt@gmail.com

PLP Autoelevadores
Calle 9 entre 8 y 10 RPI T.1
1629 Parque Industrial de Pilar
Buenos Aires
Argentina
Tel: +54-2322-530000 int. 128
Fax: +54-2322-4918-60
info@plpautoelevadores.com.ar
www.plpautoelevadores.com.ar

ANVAL S.A.
Av.Isidora Goyenechea 2925
Office 303
Las Condes
Santiago - Chile
Tel: +56-2-374 09 99
Fax: +56-2-374 03 68
E-mail: sales.cl@bolzoni-auramo.com



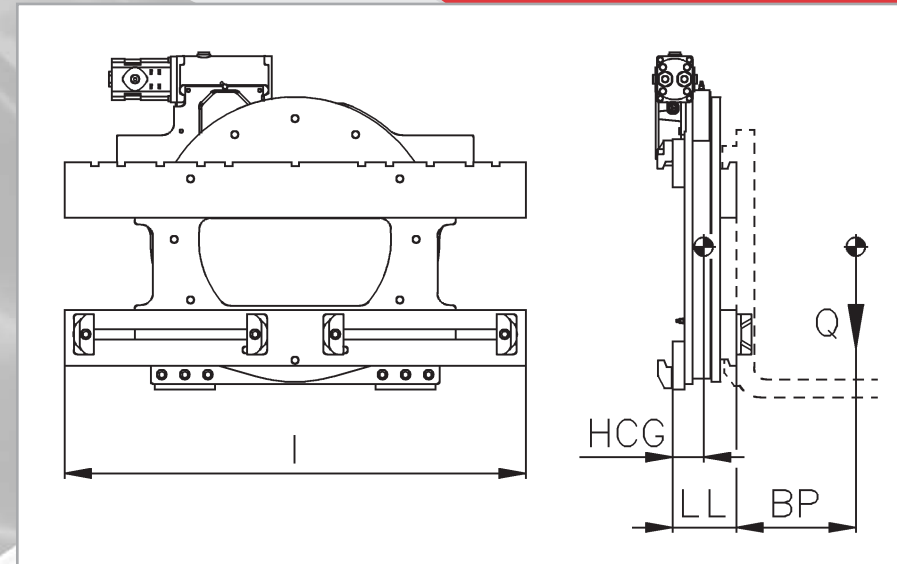
Rotators Models RC



The Bolzoni Auramo RC model rotator is suitable for all applications where the working cycles require load rotation or emptying of containers. A variety of applications can be found in metallurgical, chemical, automotive, recycling, waste disposal and in food processing operations. A wide range of capacities ensures that the correct unit is specified and is cost-effective for every application.

Technical features

- 360-degree rotator with ISO-2328 castellated fork carriage. Continuous rotation both ways.
- Fork carriage welded to the rotating frame.
- The motor-gear box includes motor, worm screw, ring gear, pinion and crown gear.
- The motor-gear is on the right side (sat on truck).
- Rotators are delivered without forks which are available on request.



Advantages

- Castellated fork carriage for easy and fast forks positioning.
- Safe, easy and fast forks mounting and positioning thanks to new fork fixing system.
- Open centre design and minimized overall dimensions ensure excellent visibility.
- Motor-gear on the right side grants optimal visibility.
- High efficiency hydraulic motor with reduced displacement gives increased speed and high rotation torque with lower use of oil.
- Less maintenance thanks to reduced wear of components.



Options

- Separate sidershifter.
- 180-degree stop group with hydraulic dampers at the end of the stroke.
- Side support fork arm.
- Forks with load bearing lower hook.
- Hydraulic motors with different displacement to vary rotation speed and torque.
- Special zinc-based painting for application in corrosive environments.
- Special version for foundry applications.



Model	Capacity	Load center	Fork Carriage width	Weight	Center of Gravity Horizontal	Effective thickness	Max torque	Rotation speed "rpm"	Mounting class
	Q kg	BP mm	I mm	W kg	HCG mm	LL mm	CN kg/mt	DC giri/min	ISO 2328
RC 15 10A	1500	500	900	165	76	142	618	4.4	2
RC 20 10A	2000	500	980	170	76	142	618	4.4	2
RC 25 10A	2500	500	980	183	76	142	837	4.7	2
RC 35 11B	3500	500	1150	307	83	159	1227	5.8	3
RC 40 11B	4000	500	1150	340	91	159	1227	5.8	3
RC 45 15B	4500	500	1550	365	91	159	1227	5.8	3
RC 55 17C	5500	600	1740	585	103	186	2023	3.5	4
FG 70 17C	7000	600	1740	770	115	186	1500	3.5	4

